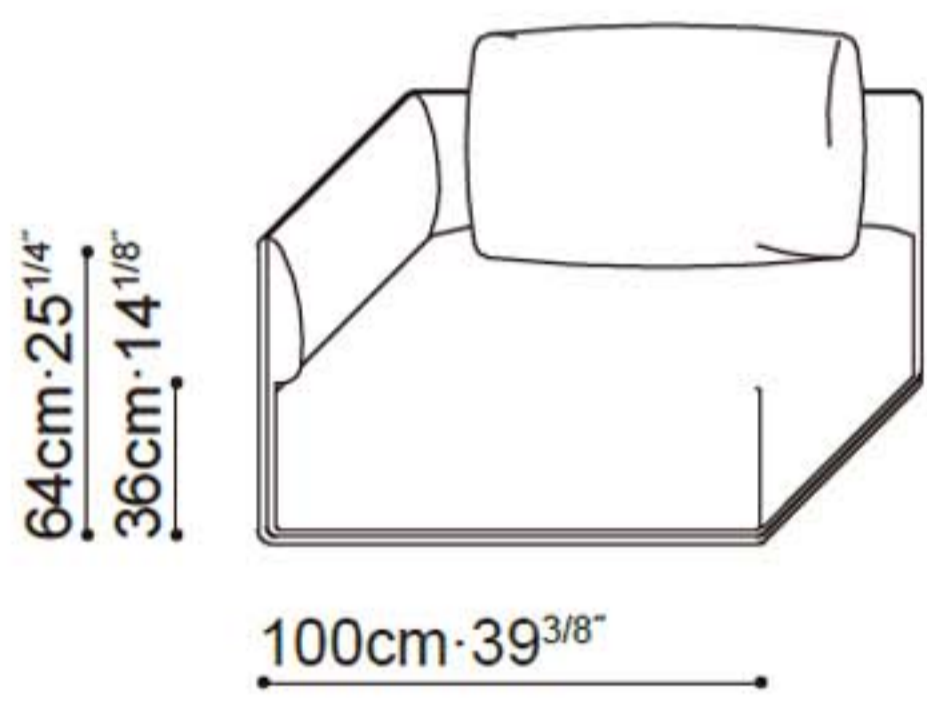


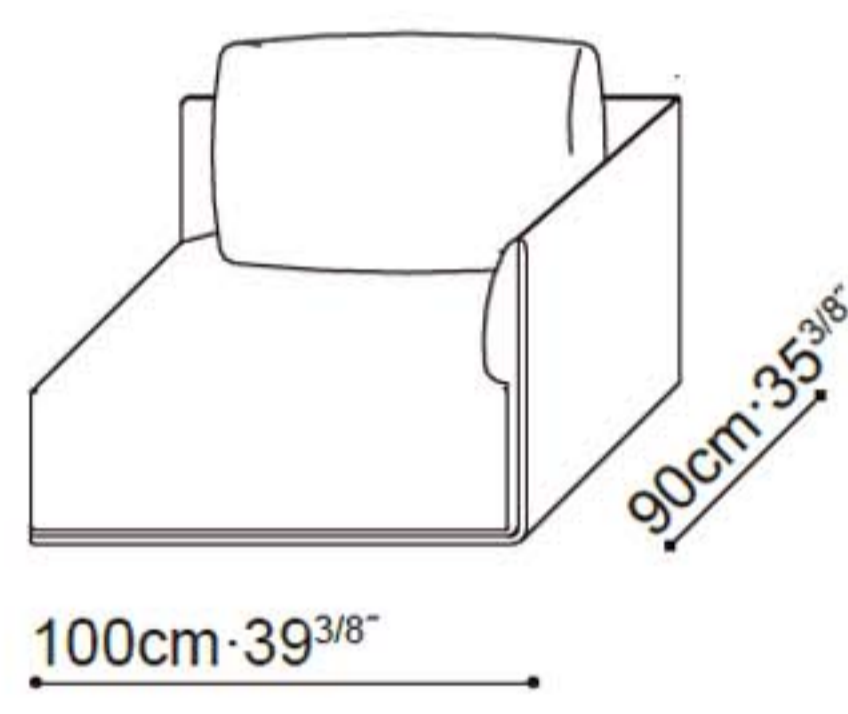


ELAN PLUS

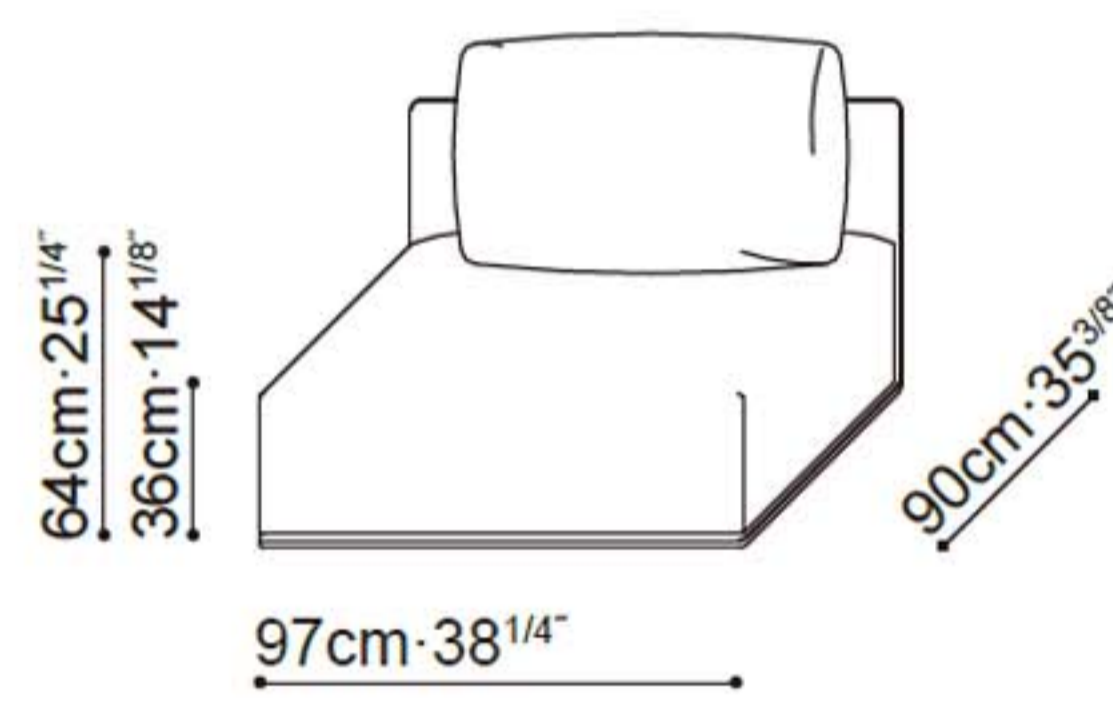
C01F0201.



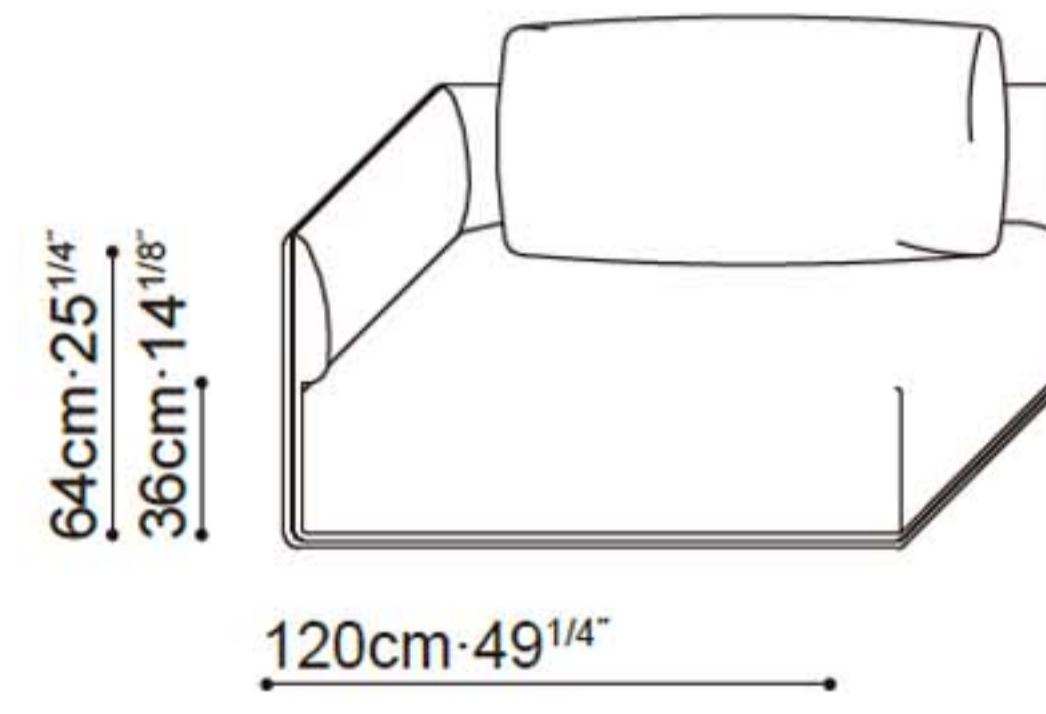
C01F0202.



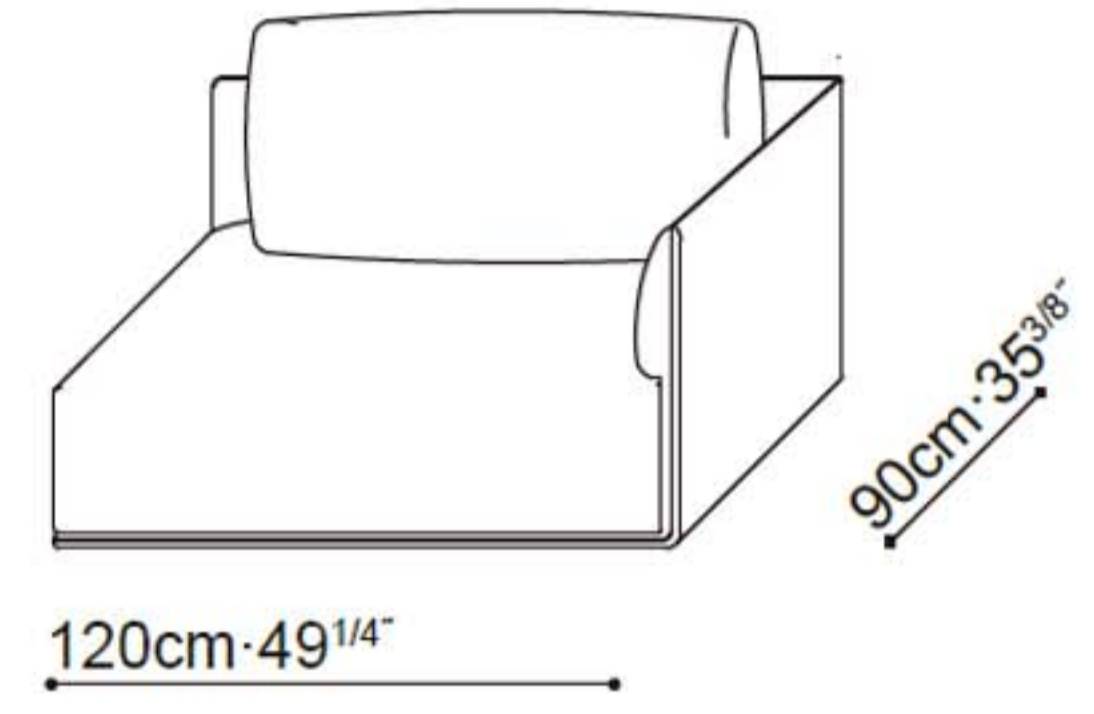
C01F0203.



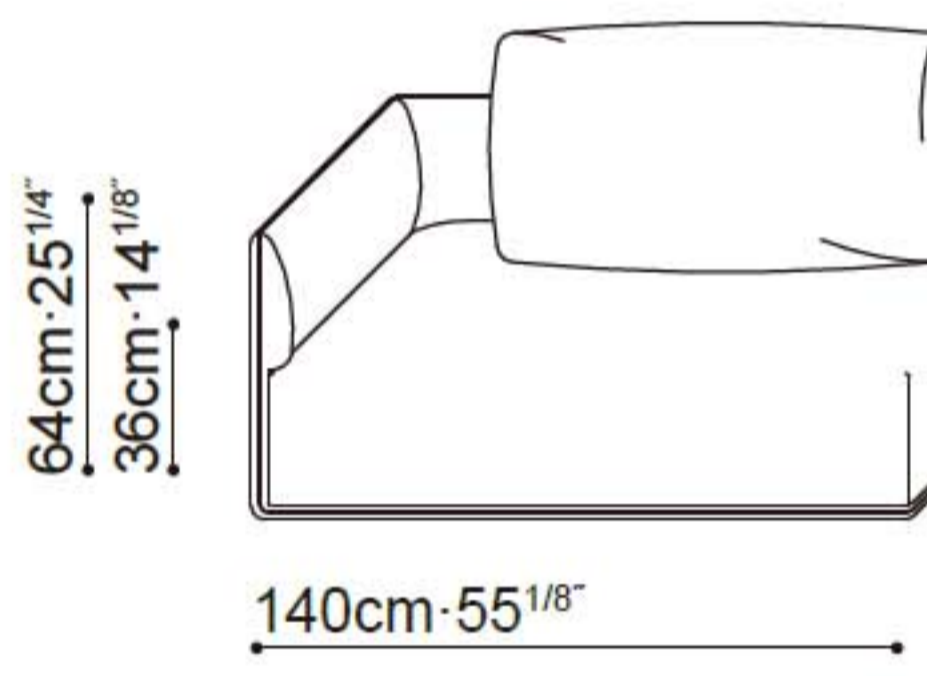
C01F0217.



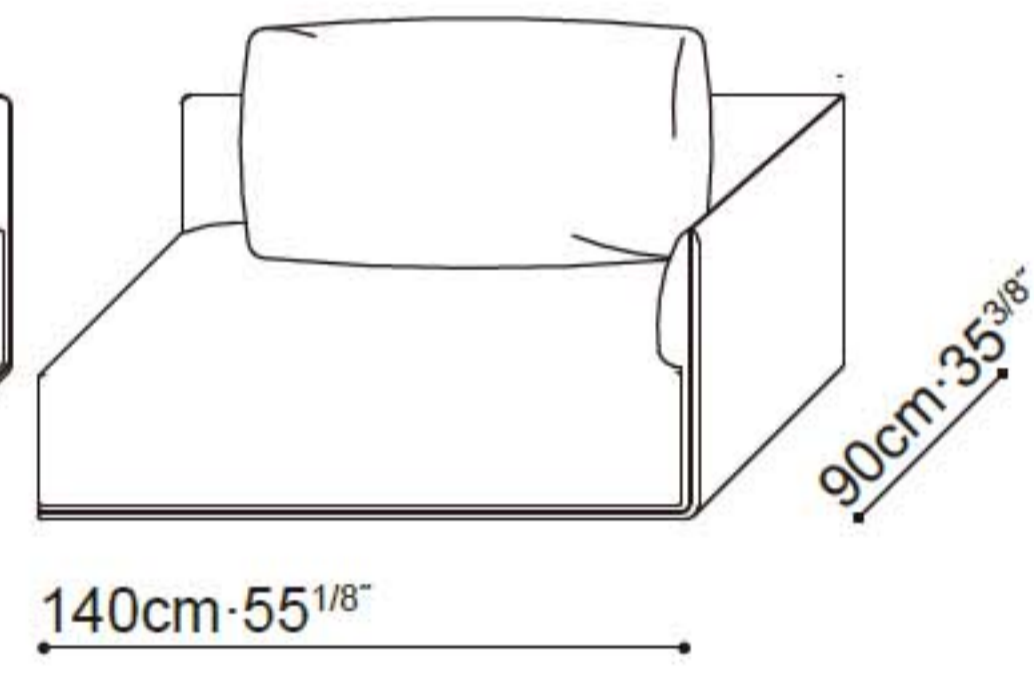
C01F0218.



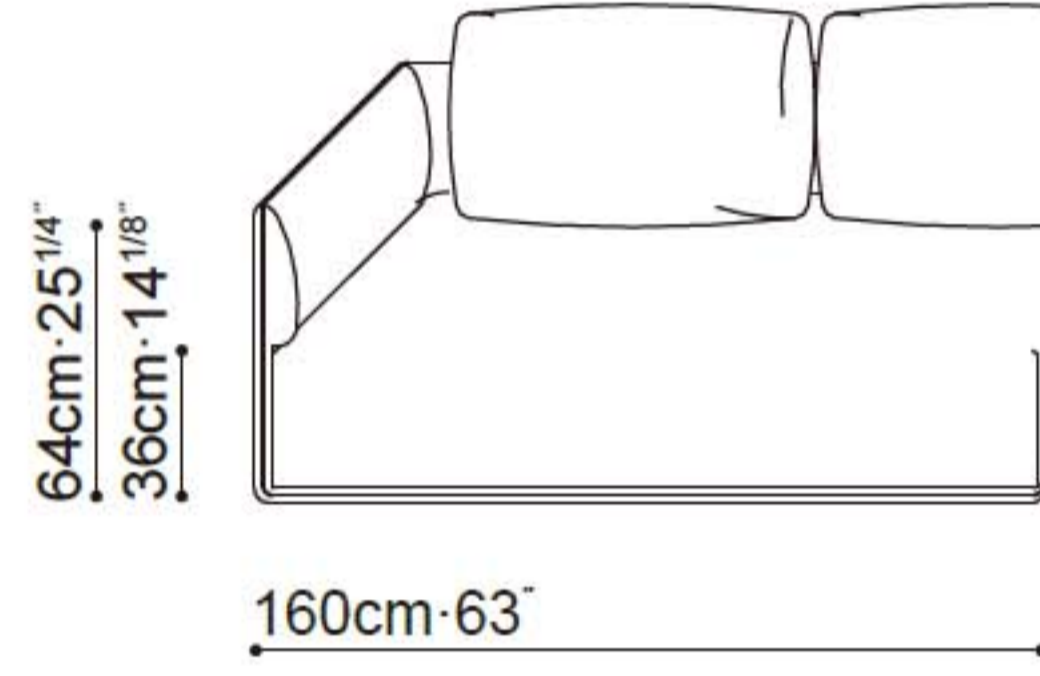
C01F0204.



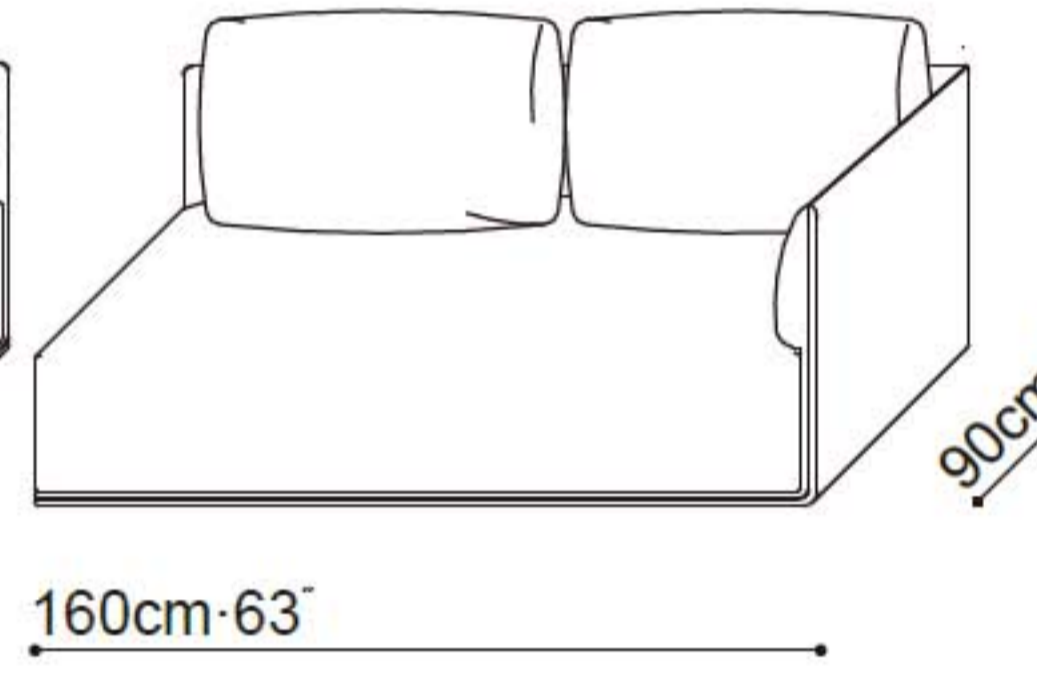
C01F0205.



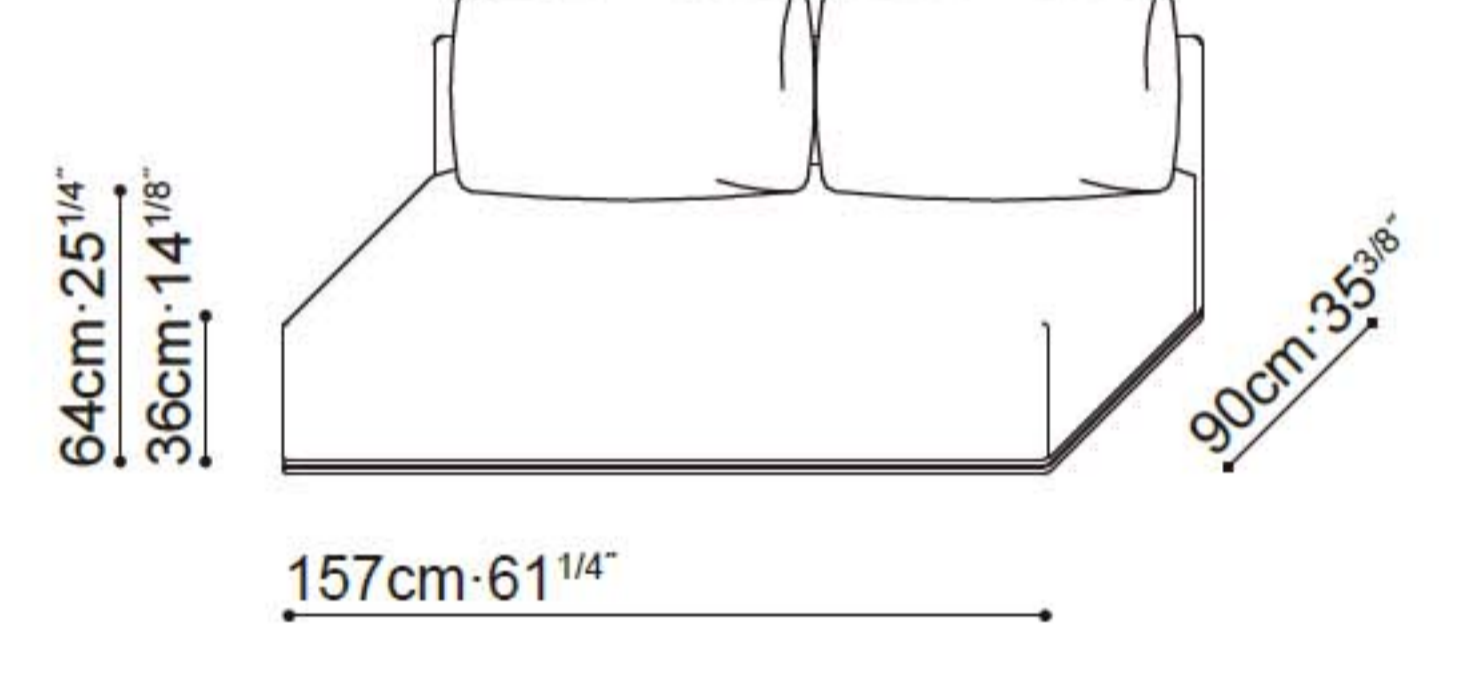
C01F0206.



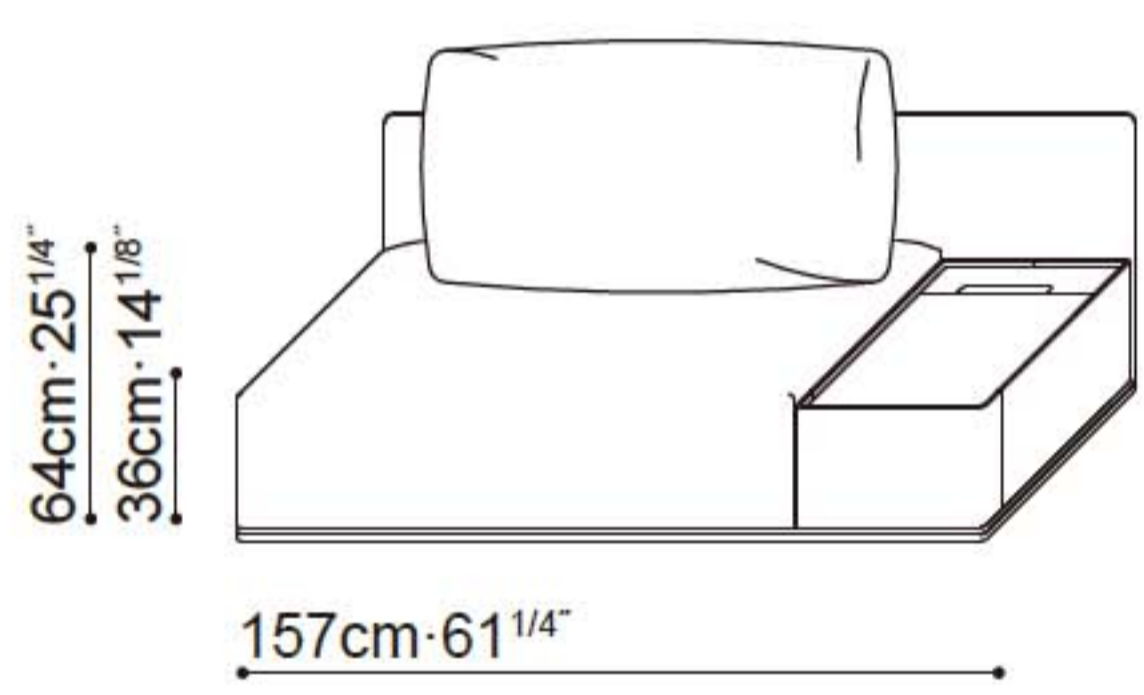
C01F0207.



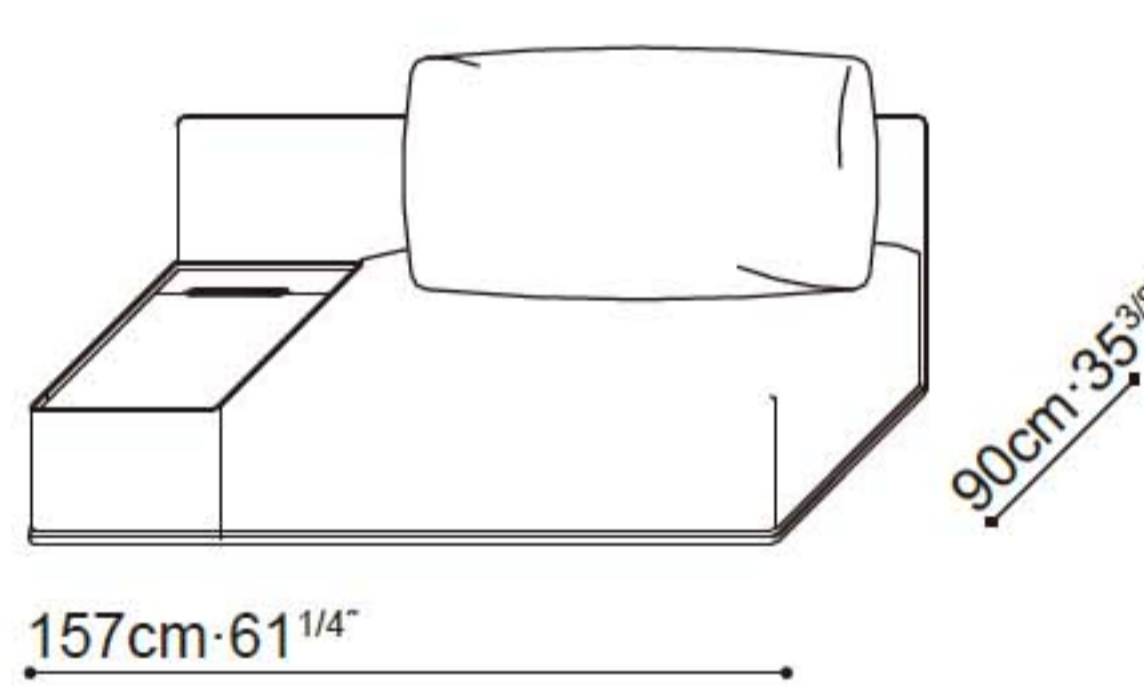
C01F0208.



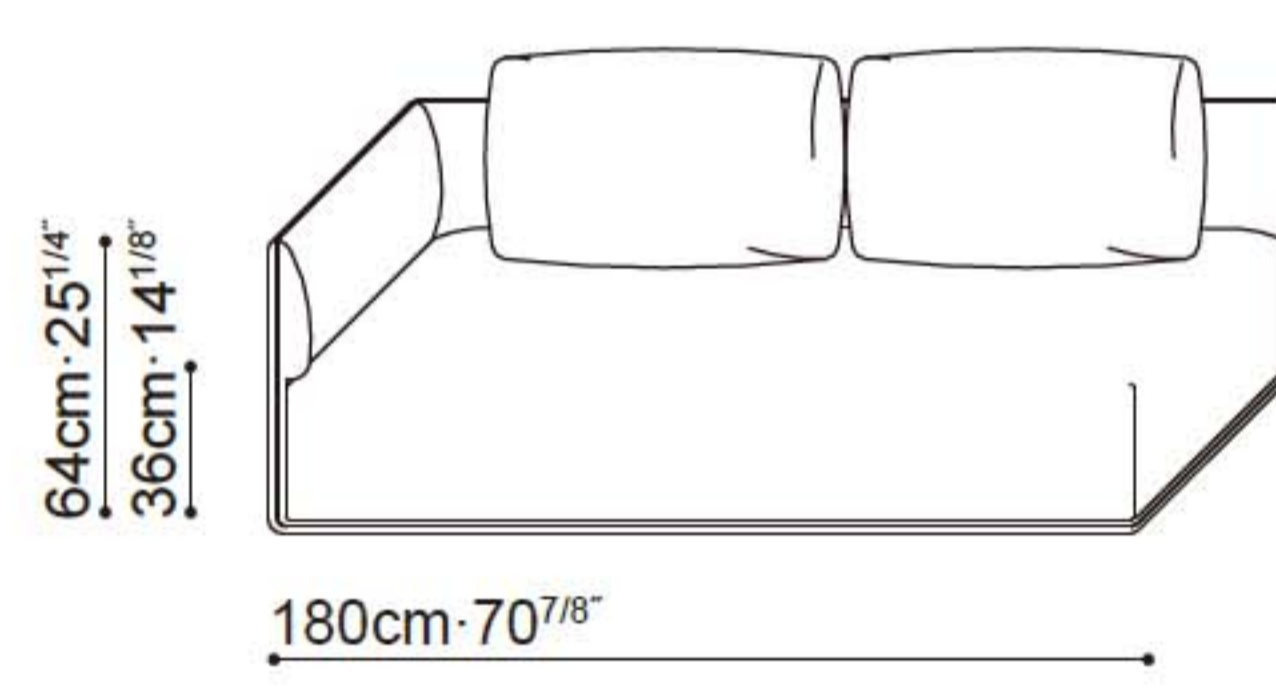
C01F0209.



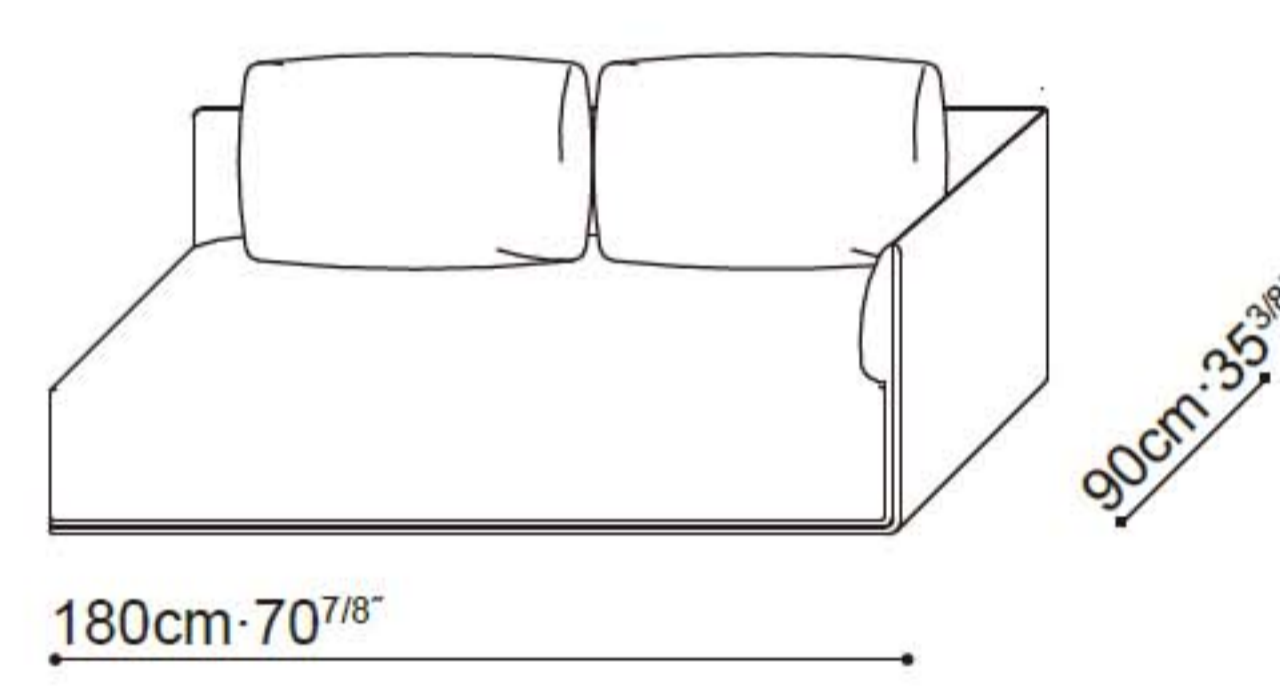
C01F0210.



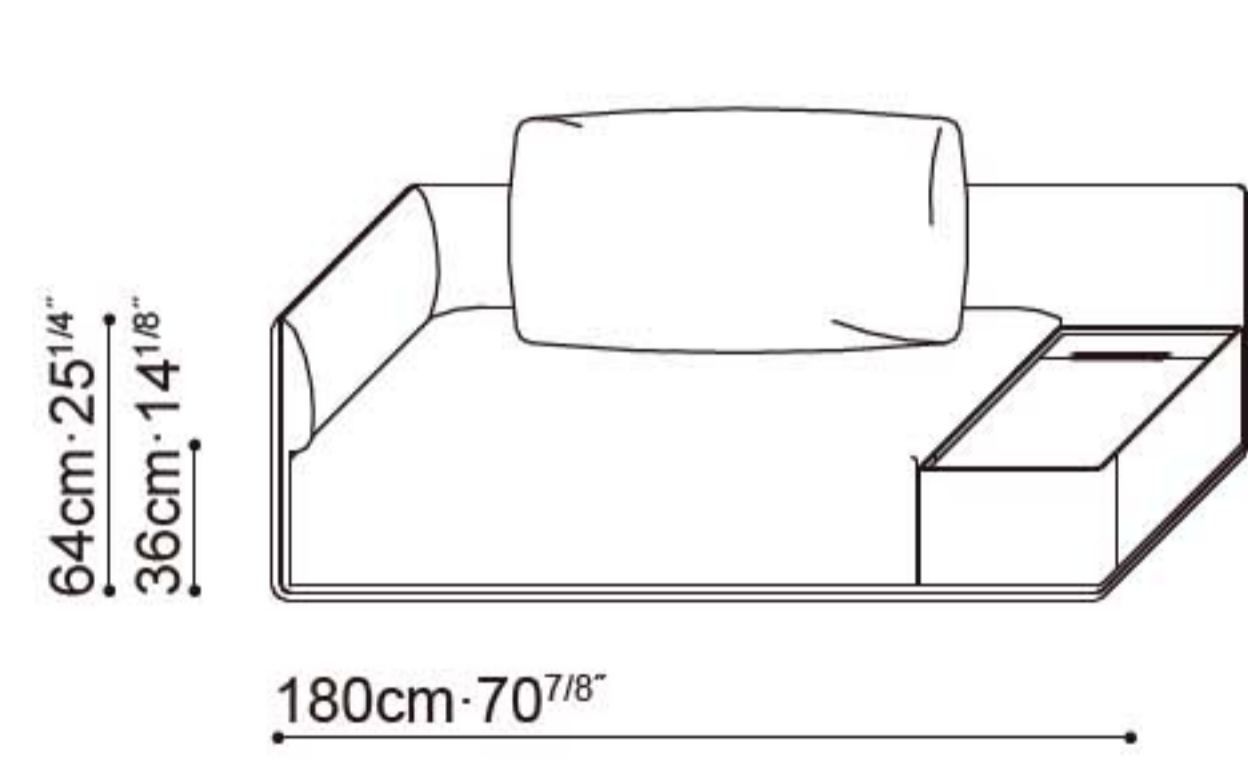
C01F0210.



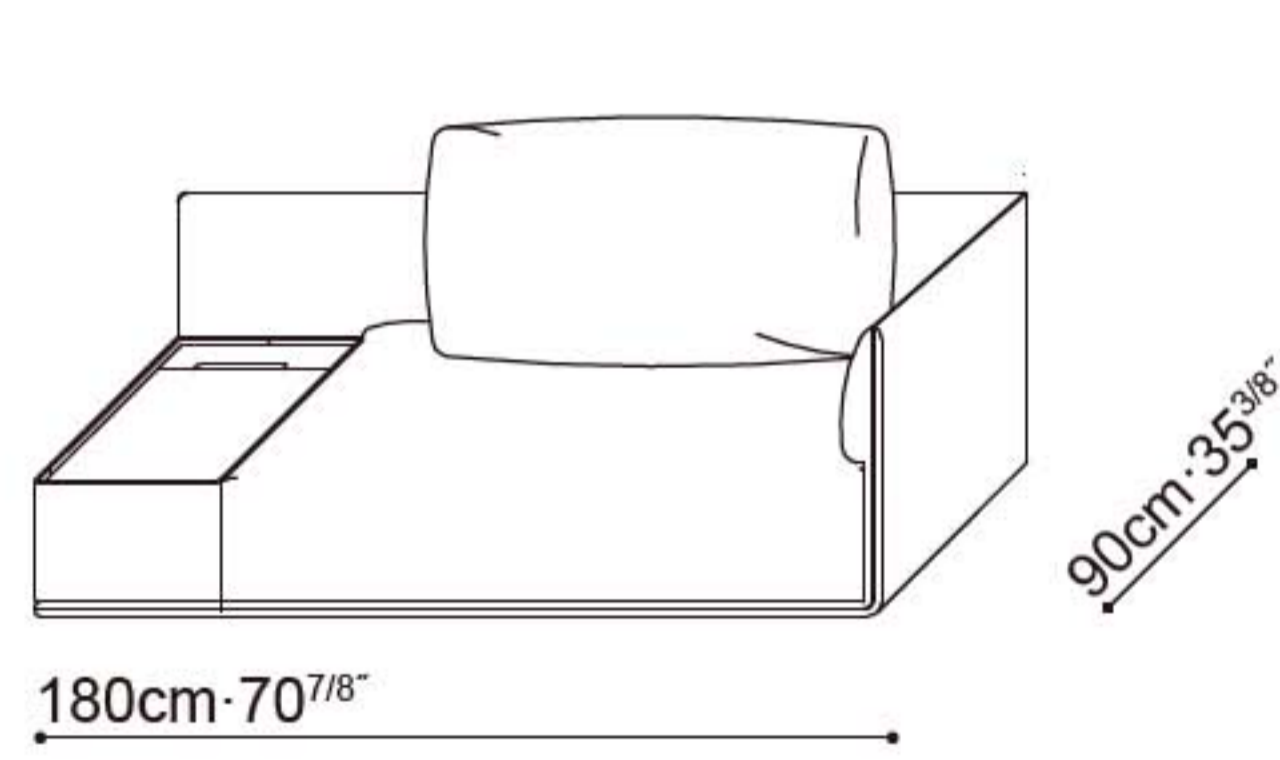
C01F0211.



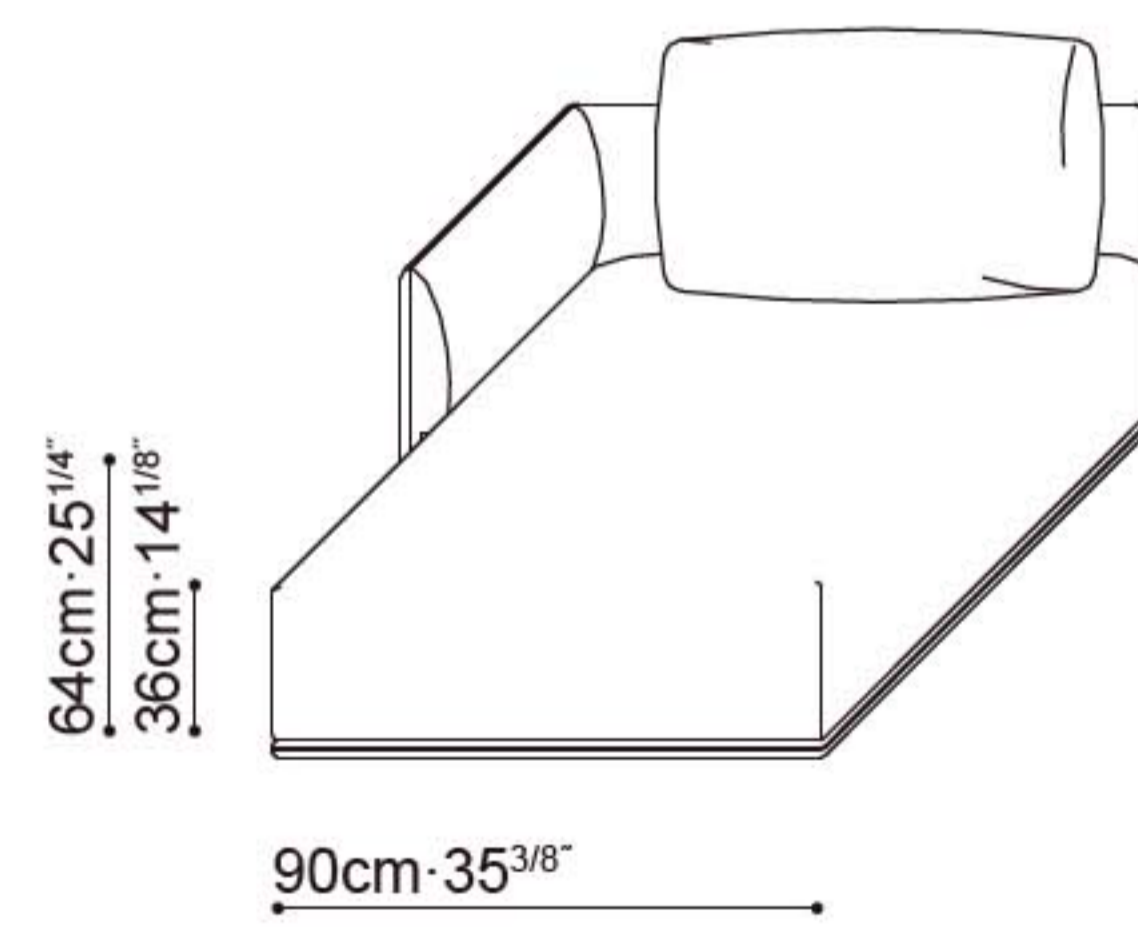
C01F0212.



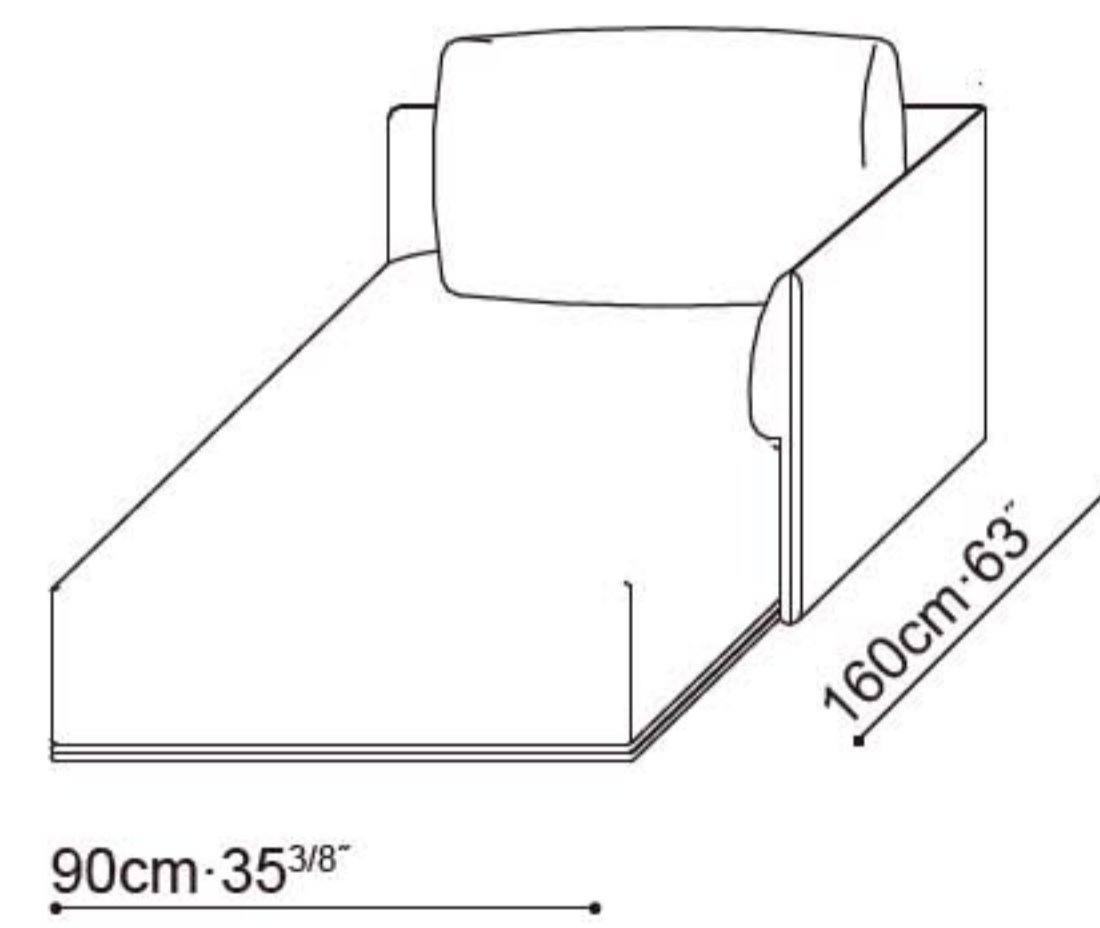
C01F0213.



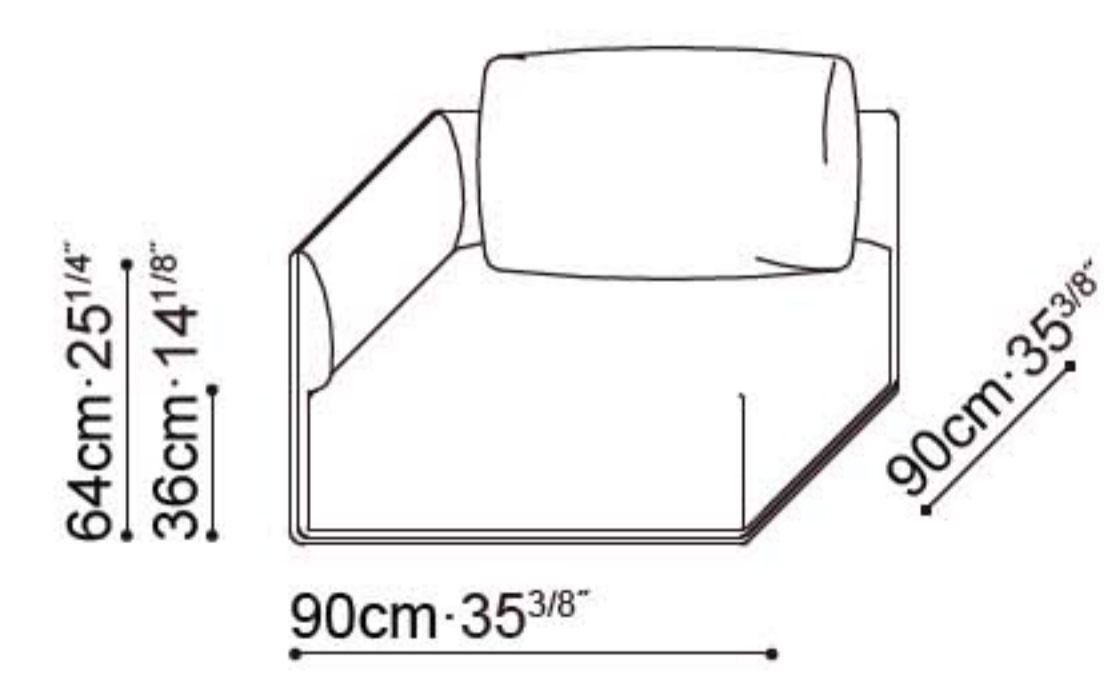
C01F0214.



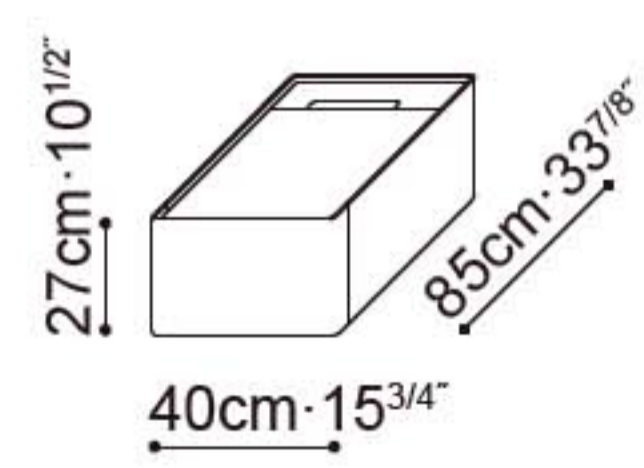
C01F0215.



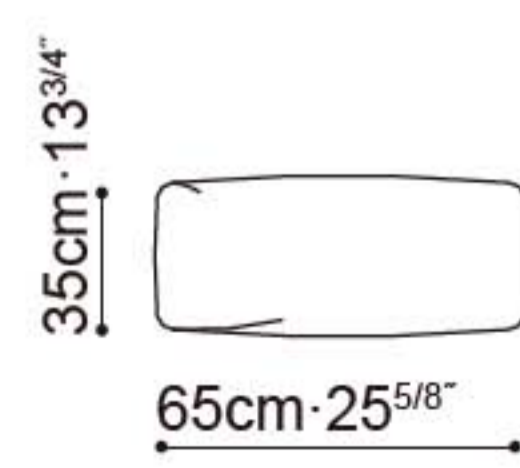
C01F0219.



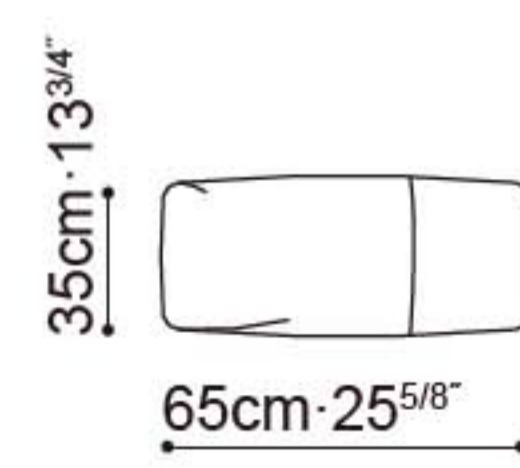
C07F0216.



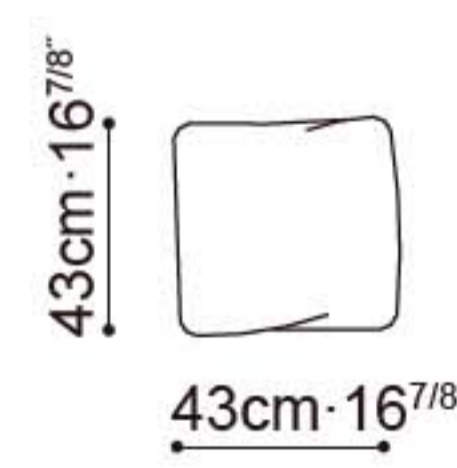
C81F0204.



C81F0204.



C81F0205.



For Orders and enquiries, please contact: **020 7372 9887** or sales@camerich.co.uk

London Showrooms

Swiss Cottage 020 7372 9887 | West End 020 7580 0784 | Chelsea & Fulham 020 7736 3667